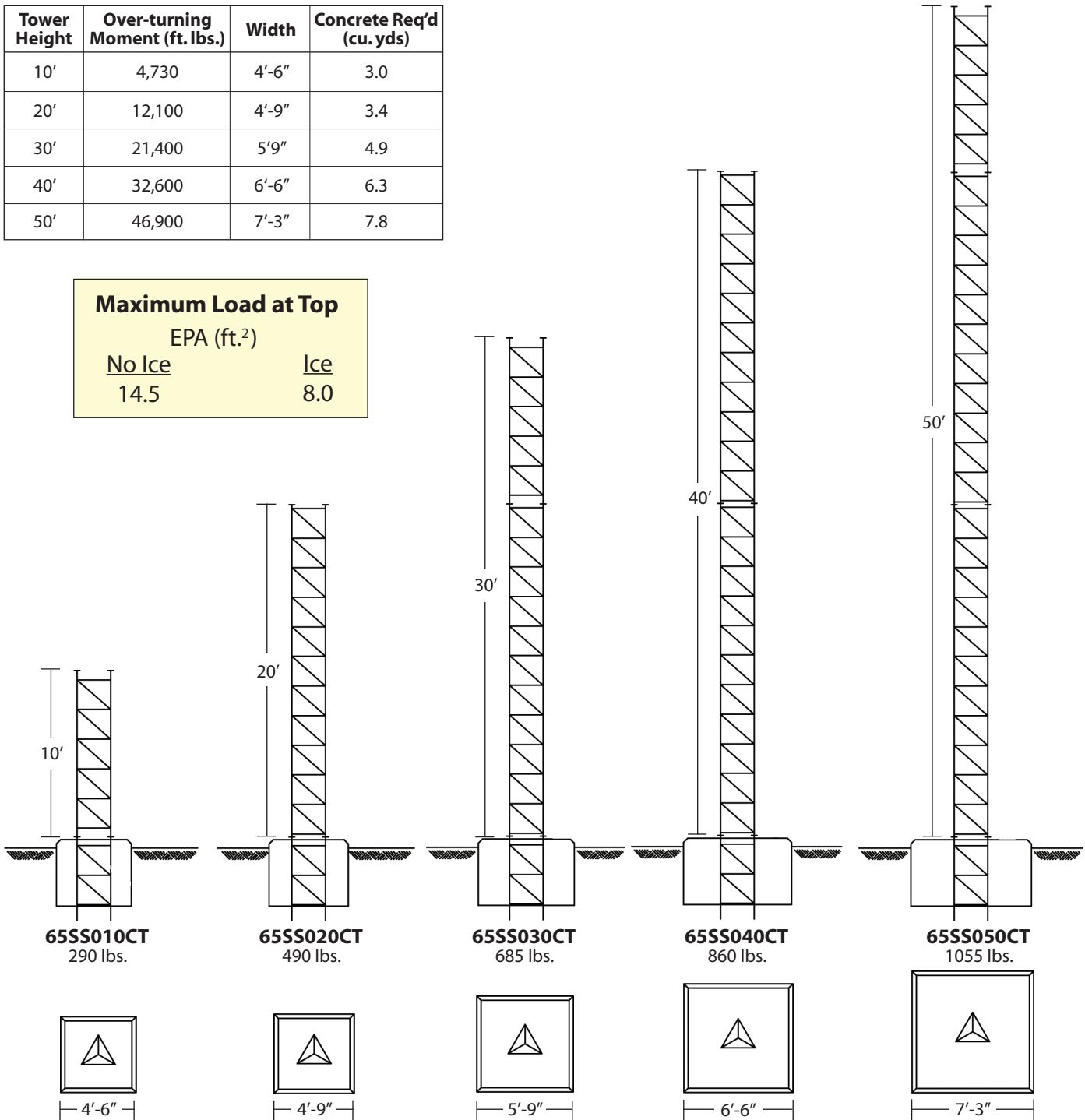




CAMERA TOWERS SELF-SUPPORTING TYPICAL 90 MPH - 1/2" ICE

Tower Height	Over-turning Moment (ft. lbs.)	Width	Concrete Req'd (cu. yds)
10'	4,730	4'-6"	3.0
20'	12,100	4'-9"	3.4
30'	21,400	5'-9"	4.9
40'	32,600	6'-6"	6.3
50'	46,900	7'-3"	7.8

Maximum Load at Top EPA (ft. ²)	
No Ice	Ice
14.5	8.0



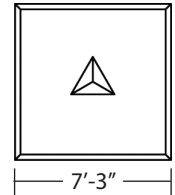
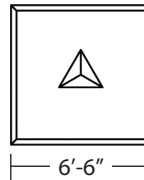
65SS010CT
290 lbs.

65SS020CT
490 lbs.

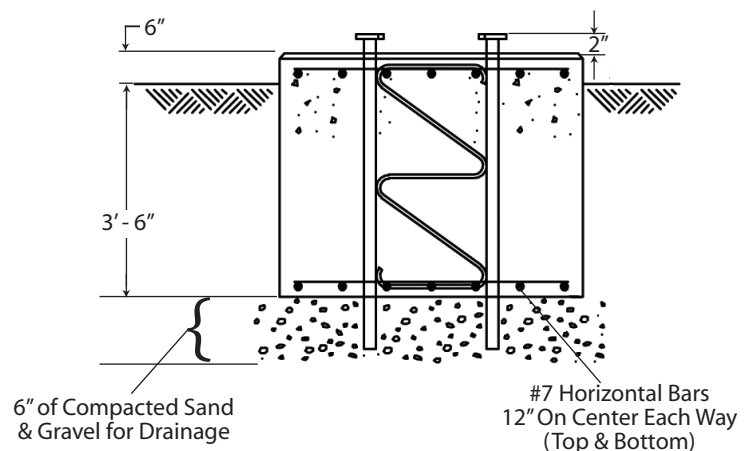
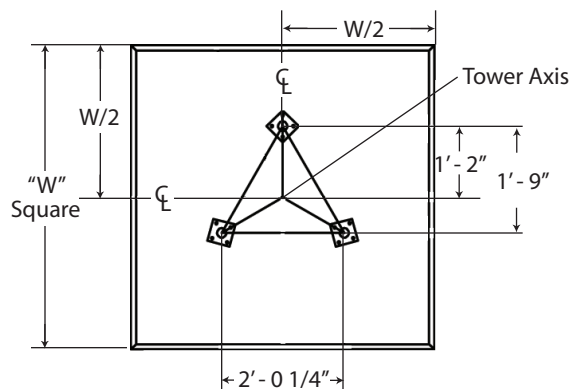
65SS030CT
685 lbs.

65SS040CT
860 lbs.

65SS050CT
1055 lbs.



CAMERA TOWERS SHORT BASE PIER DETAIL



GENERAL NOTES

1. Tower designs are in accordance with approved national standard ANSI/TIA/EIA-222-F.
2. All towers must have "fixed bases". Pinned bases must not be used.
3. Tower design assumes one 3/4" conduit on tower face.
4. Camera and mount assumed symmetrically placed at tower top.
5. Do not install or dismantle towers within falling distance or electrical and/or telephone lines.
6. Tower erection and dismantling must be done by qualified and experienced personnel.
7. Install warning plate in highly visible location.
8. Where applicable, all camera installations must be grounded in accordance with local and national codes.
9. Tower design assumes work platform mounted 5' below tower top.
10. Climber Safety device is recommended for climbing the tower.
11. Anti-climb device and/or work platform may be supplied as an option.
12. Pal nuts are provided for all tower and anchor bolts.